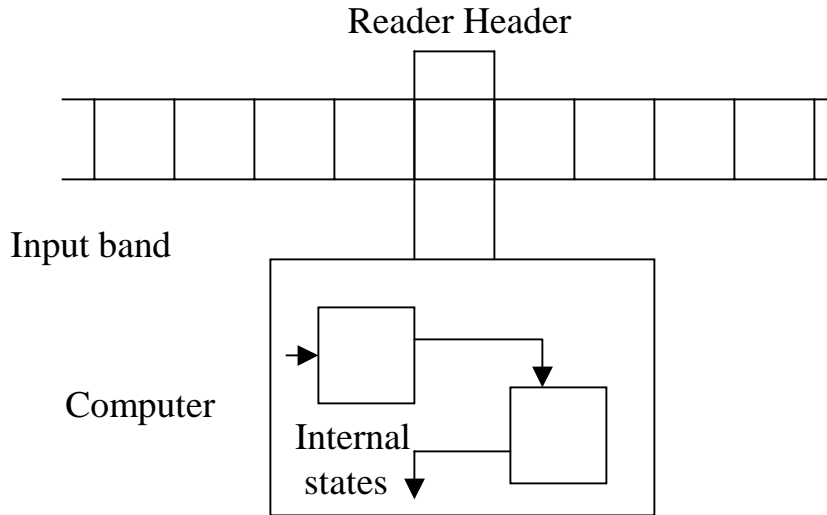
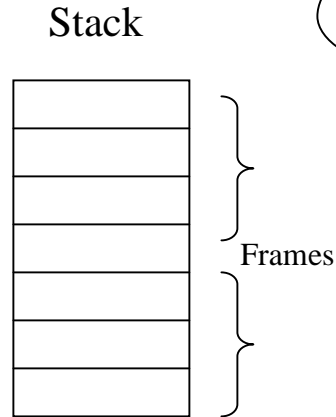
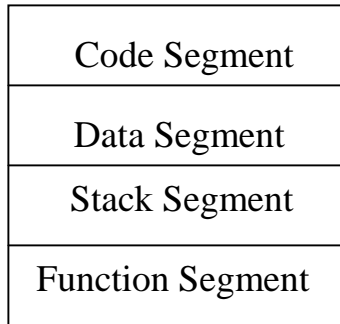


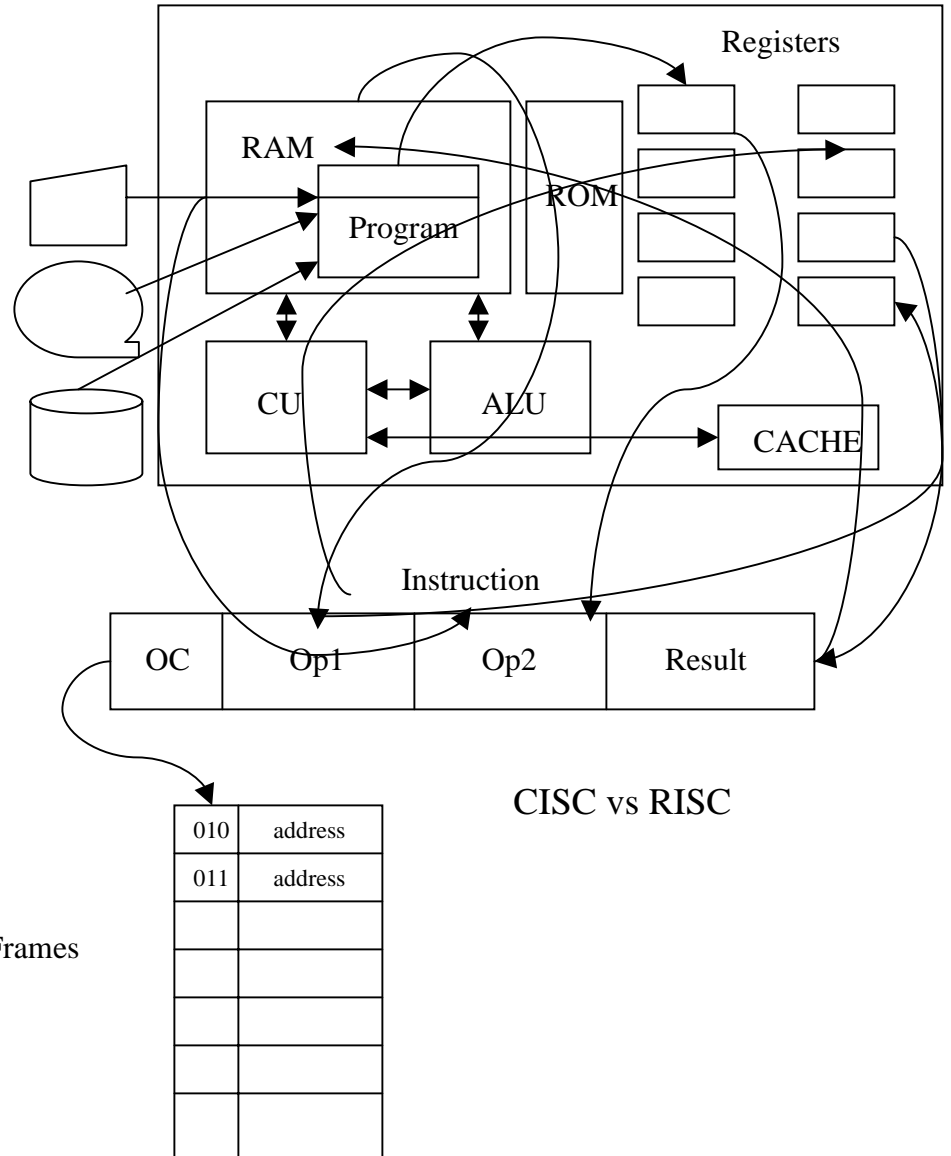
Turing Machine



User Program Structure



Von Neumann Machine



CISC vs RISC